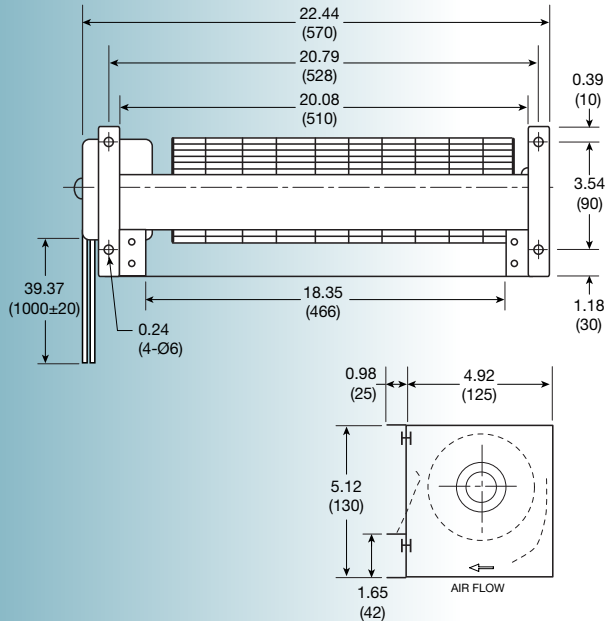
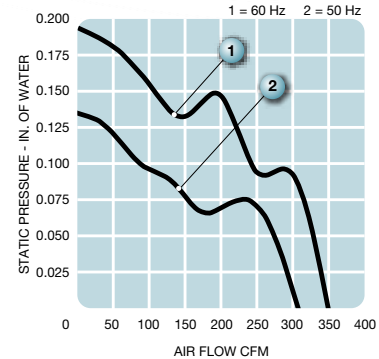


## UF9446 series



**Size: (570 mm x 150 mm x 130 mm)**  
**22.44 x 5.91 x 5.12 inches**

- Features:** cross flow blower
- Operating voltage (VAC):** 120 or 230
- Operating temp:** -40° to 70° C
- Construction:** steel frame with plastic impeller
- Bearing option:** ball bearing
- Motor:** permanent split capacitor
- Connection:** 22 AWG lead wires
- Protection:** thermal
- Insulation:** Class B



Model No.	Rated Voltage V	Freq. HZ	Input Power W	Rated Cur. A	Locked Cur. A	Speed RPM	Air Volume		Max. Static Pressure (H <sub>2</sub> O)		Sound Noise dbA	Weight kg
							M <sup>3</sup> /Min.	CFM	MM	INCH		
UF9446CBP12H-L	120	50	43	0.40	0.63	1350	85	300	3.5	0.14	48	3.6
	120	60	50	0.42	0.63	1550	10.0	354	5.0	0.20	53	3.6
UF9446CBP23H-L	230	50	43	0.20	0.31	1350	8.5	300	3.5	0.14	48	3.6
	230	60	50	0.23	0.31	1550	10.0	354	5.0	0.20	53	3.6