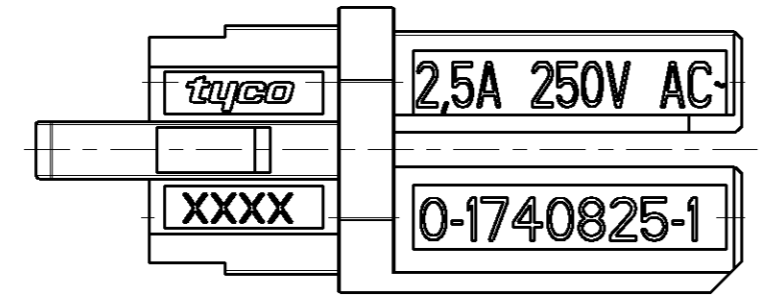


THIS DRAWING IS UNPUBLISHED. RELEASED FOR PUBLICATION 2006
 © COPYRIGHT 2006 BY TYCO ELECTRONICS CORPORATION. ALL RIGHTS RESERVED.

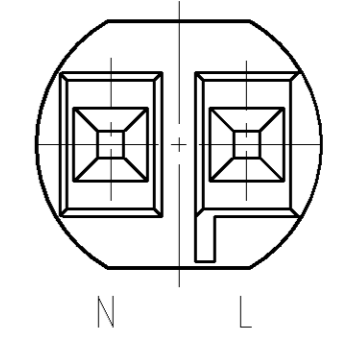
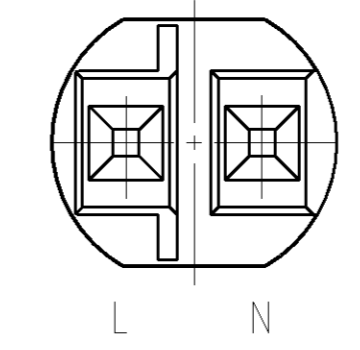
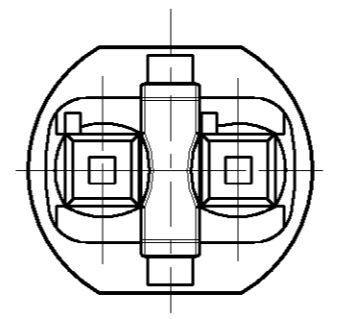
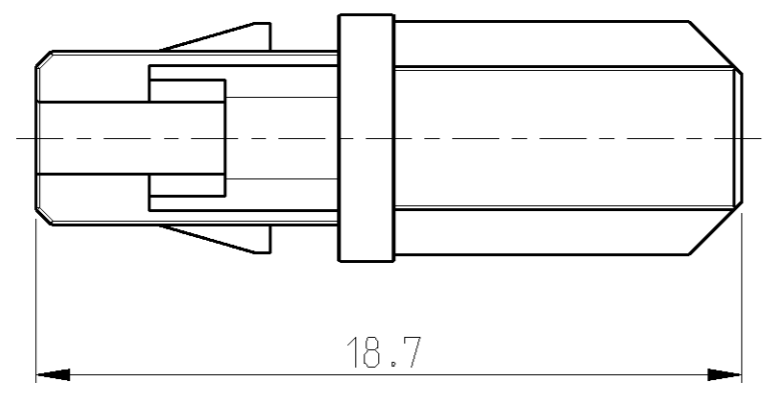
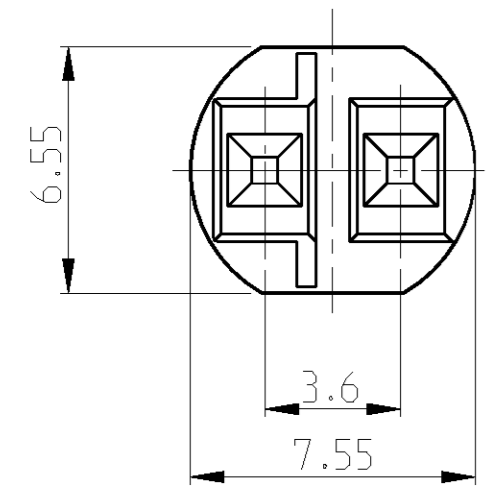
LOC		DIST		REVISIONS			
P	LTR	DESCRIPTION	DATE	DWN	APVD		
A1		NEW	02AUG2006	SKA	TG		
A2		L-N marking of HV-5 changed	30OCT2006	SKA	TG		
A3		PN correction in table	02NOV2006	SKA	TG		



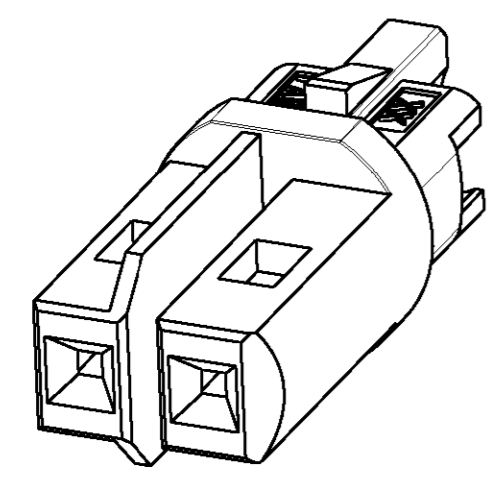
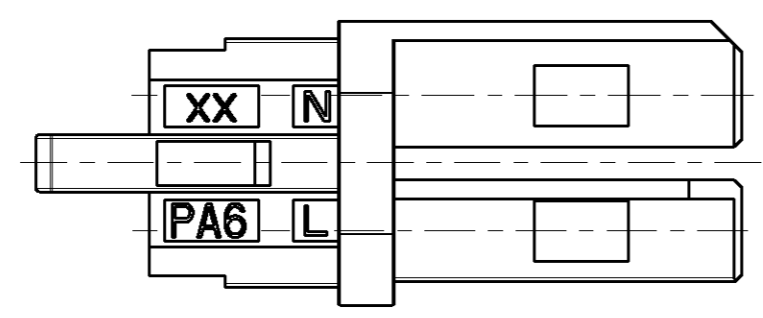
HIGH-VOLTAGE

Keying HV-4

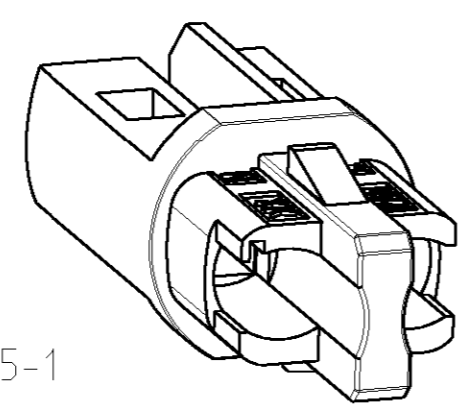
Keying HV-5



Material: PA6
 Volume appr. 273cm³



PN 1740825-1 shown



HV-5	0-1740825-4	A	HIGH-VOLTAGE 250 V	2.5A/250V AC~	BLACK
HV-5	0-1740825-3	A	HIGH-VOLTAGE 250 V	2.5A/250V AC~	NATURAL (WHITE)
HV-4	0-1740825-2	A	HIGH-VOLTAGE 250 V	2.5A/250V AC~	BLACK
HV-4	0-1740825-1	A	HIGH-VOLTAGE 250 V	2.5A/250V AC~	NATURAL (WHITE)
Keying	PN	Rev.	BEMERKUNGEN/REMARKS	Marking	Farbe/COLOR

<small>THIS DRAWING IS A CONTROLLED DOCUMENT FOR TYCO ELECTRONICS CORPORATION. IT IS SUBJECT TO CHANGE AND THE CONTROLLING ENGINEERING ORGANIZATION SHOULD BE CONTACTED FOR THE LATEST REVISION.</small>		DWN H.K.ÜC.ÜK 02AUG2006 CHK S.SKADE 02AUG2006 APVD T.GERLACH 02AUG2006	tyco Electronics tyco Electronics AMP GmbH D - 64625 Bensheim
DIMENSIONS: mm 	TOLERANCES UNLESS OTHERWISE SPECIFIED: 1. PL ±0.2 2. PAC ± 3. PAC ± 4. PL ± ANGLES ±° FINISH	PRODUCT SPEC APPLICATION SPEC WEIGHT CUSTOMER DRAWING	NAME MINI HVL LIGHTING SYSTEM 7.5mm PLUG SIZE A2 CAGE CODE 00779 DRAWING NO. C-1740825 RESTRICTED TO SCALE 5:1 SHEET 1 OF 1 REV A3