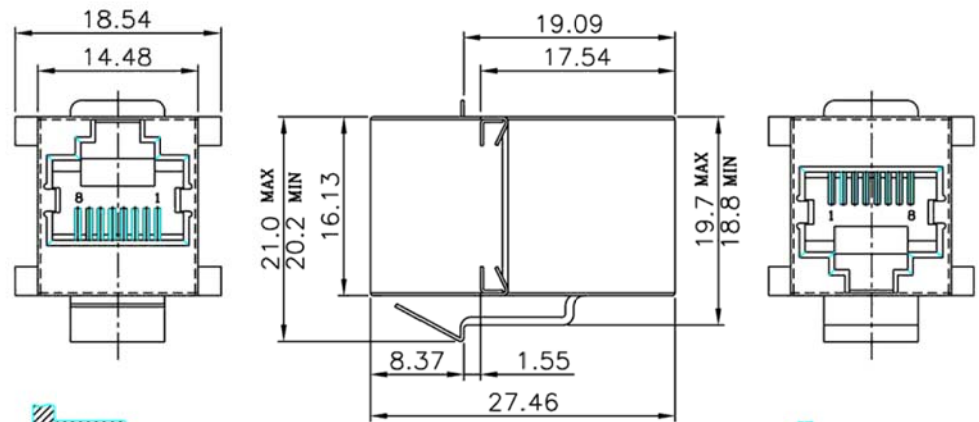
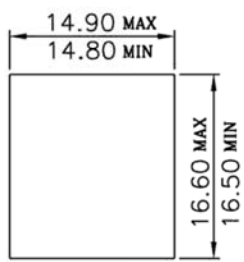
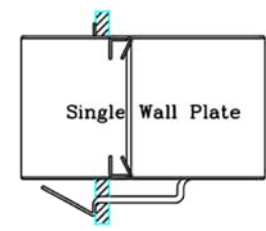
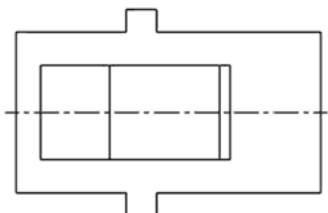
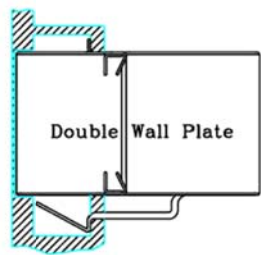


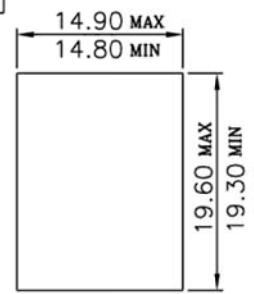
used for:



MATERIALS:
SHIELDED: STAINLESS STEEL.
PLASTIC HOUSING: ENGINEERING THERMOPLASTIC
FLAMMABILITY RATING UL 94V-0.
CONTACTS: 0.35MM THICKNESS PHOSPHOR BRONZE
PLATING: GOLD PLATING OVER NICKEL IN CONTACT.



Front Panel Jack Only Clearance
W/O Latch Feature



Single Panel-Latch Clearance
Panel Thickness 0.062 inch

THIS DRAWING MAY NOT BE COPIED OR REPRODUCED
 IN ANY WAY, AND MAY NOT BE PASSED ON TO A THIRD
 PARTY WITHOUT WRITTEN PERMISSION.
 OWNERSHIP AND COPYRIGHT OF CONEC CORPORATION
 DO NOT ALTER CAD DRAWING BY HAND

CONEC CORPORATION Brampton, Ontario			tolerance unless otherwise specified Decimatic: .xx ±0.3 Angles: °		scale:
2005	date	name	2005	date	name
draw.	May. 03	Vincent Ke	appd.		
norm			d-old		
rev.	description	date	name		

material:	
title: Modular Coupler Jack 8p8c Shielded	
drawing no.:	AutoCAD 2004
	C0505R02A
part no.:	33TS3101S-88N

DIN A3 sheet 1/1
