


60x60x15 mm

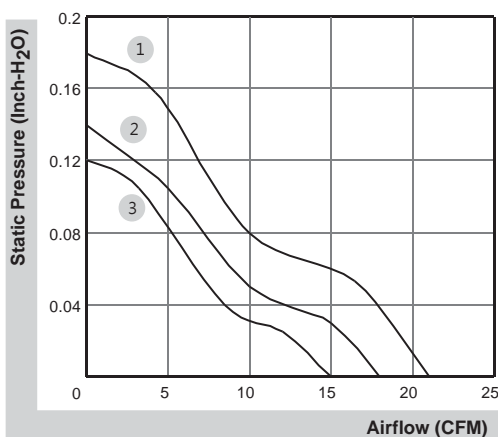
18.0~21.0 CFM



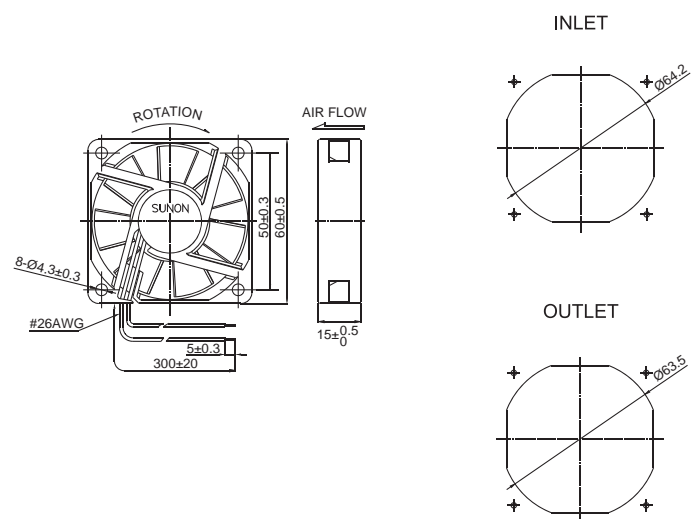
■ Specifications

|  | Bearing | Rating Voltage | Power Current | Power Consumption | Speed | Air Flow | Static Pressure | Noise | Weight | Curve |
|---|---------|----------------|---------------|-------------------|-------|----------|-------------------------|---------|--------|-------|
| | ● VAPO | (VDC) | (mA) | (WATTS) | (RPM) | (CFM) | (Inch-H ₂ O) | (dB(A)) | (g) | |
| MB60151V1-000U-A99 | ● | 12 | 130 | 1.56 | 4300 | 21.0 | 0.18 | 36.0 | 42.8 | 1 |
| MB60151V2-000U-A99 | ● | 12 | 83 | 1.00 | 3800 | 18.0 | 0.14 | 31.0 | 42.8 | 2 |
| MB60151V3-000U-A99 | ● | 12 | 50 | 0.60 | 3000 | 15.0 | 0.12 | 25.0 | 42.8 | 3 |
| MB60152V1-000U-A99 | ● | 24 | 70 | 1.68 | 4300 | 21.0 | 0.18 | 36.0 | 42.6 | 1 |
| MB60152V2-000U-A99 | ● | 24 | 45 | 1.08 | 3800 | 18.0 | 0.14 | 31.0 | 42.6 | 2 |

■ Air Flow-Static Pressure Characteristics



■ External dimensions(mm)



*All model could be customized. Please contact with Sunon Sales.

*Specifications are subject to change without notice. Please Visit SUNON website at <http://www.sunon.com> for update information.