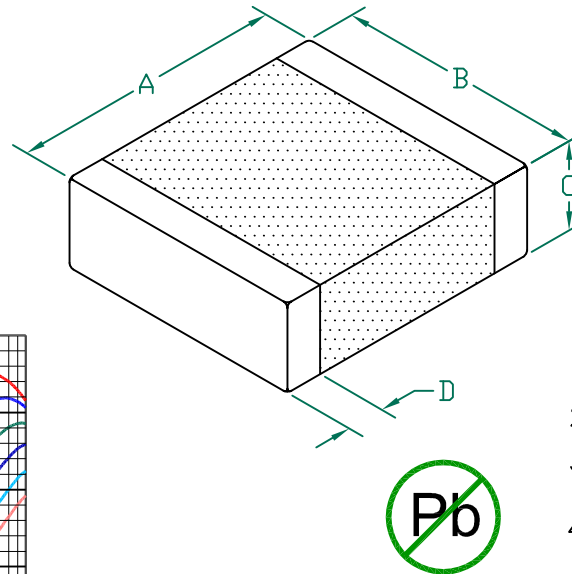


HI2220R151R-10

UNCONTROLLED DOCUMENT

PHYSICAL DIMENSIONS:

| | | |
|---|-------------|---------------|
| A | 5.59 [.220] | + 0.51 [.020] |
| B | 5.08 [.200] | + 0.25 [.010] |
| C | 1.80 [.071] | + 0.25 [.010] |
| D | 0.76 [.030] | + 0.25 [.010] |



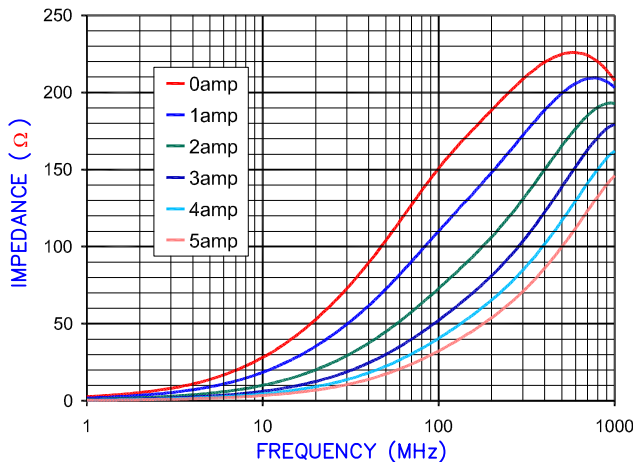
ELECTRICAL CHARACTERISTICS:

| Z @ 100MHz (Ω) | DCR (Ω) | Rated Current |
|-------------------|------------|------------------|
| Nominal | 150 | |
| Minimum | 113 | |
| Maximum | 187 | 0.015 |
| | | 5000 mA |

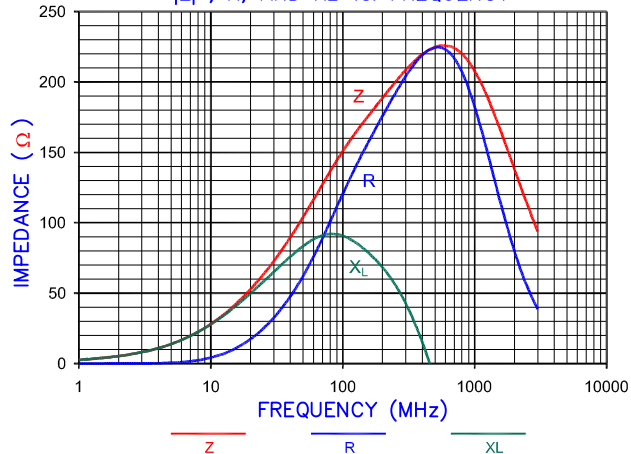
NOTES: UNLESS OTHERWISE SPECIFIED

1. TAPED AND REELED per CURRENT EIA SPECIFICATIONS 13" REELS, 2,000 PCS/REEL.
2. TERMINATION FINISH IS 100% TIN.
3. COMPONENTS SHOULD BE ADEQUATELY PREHEATED BEFORE SOLDERING.
4. OPERATEING TEMPERATURE TEMP: -40°C~+125°C (INCLUDING SELF-HEATING)

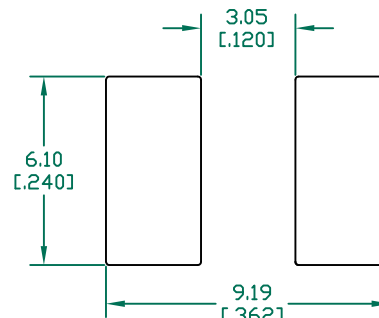
Z vs. FREQUENCY
IMPEDANCE UNDER DC BIAS



|Z|, R, AND XL vs. FREQUENCY

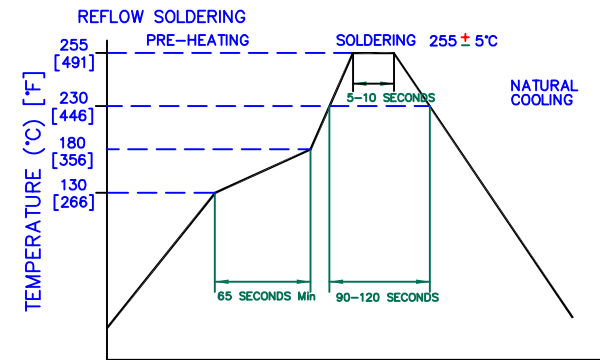


LAND PATTERNS FOR REFLOW SOLDERING



(For wave soldering, add 0.762 [.030] to this dimension)

RECOMMENDED SOLDERING CONDITIONS



| | | | | | | | | | |
|--|--|--|--|---|--|------------|--|------------------|--|
| DIMENSIONS ARE IN mm [INCHES]. | | | | This print is the property of Laird Tech. and is loaned in confidence subject to return upon request and with the understanding that no copies shall be made without the written consent of Laird Tech. All rights to design or invention are reserved. | | | | Laird | |
| PROJECT/PART NUMBER: | | | | REV: | | PART TYPE: | | DRAWN BY: | |
| C ADD OPERATING TEMPERATURE UPDATE LAIRD LOGO AND REFLOW CURVE 08/05/13 QU | | | | HI2220R151R-10 | | C | | CO-FIRE TMB | |
| B UPDATE COMPANY LOGO ADD ROHS 01/25/08 JRK | | | | DATE: 04/03/04 | | SCALE: NTS | | SHEET: | |
| A ORIGINAL DRAFT 04/03/04 TMB | | | | CAD # | | TOOL # | | 2 of 2 | |
| REV DESCRIPTION | | | | DATE | | INT | | HI2220R151R-10-C | |